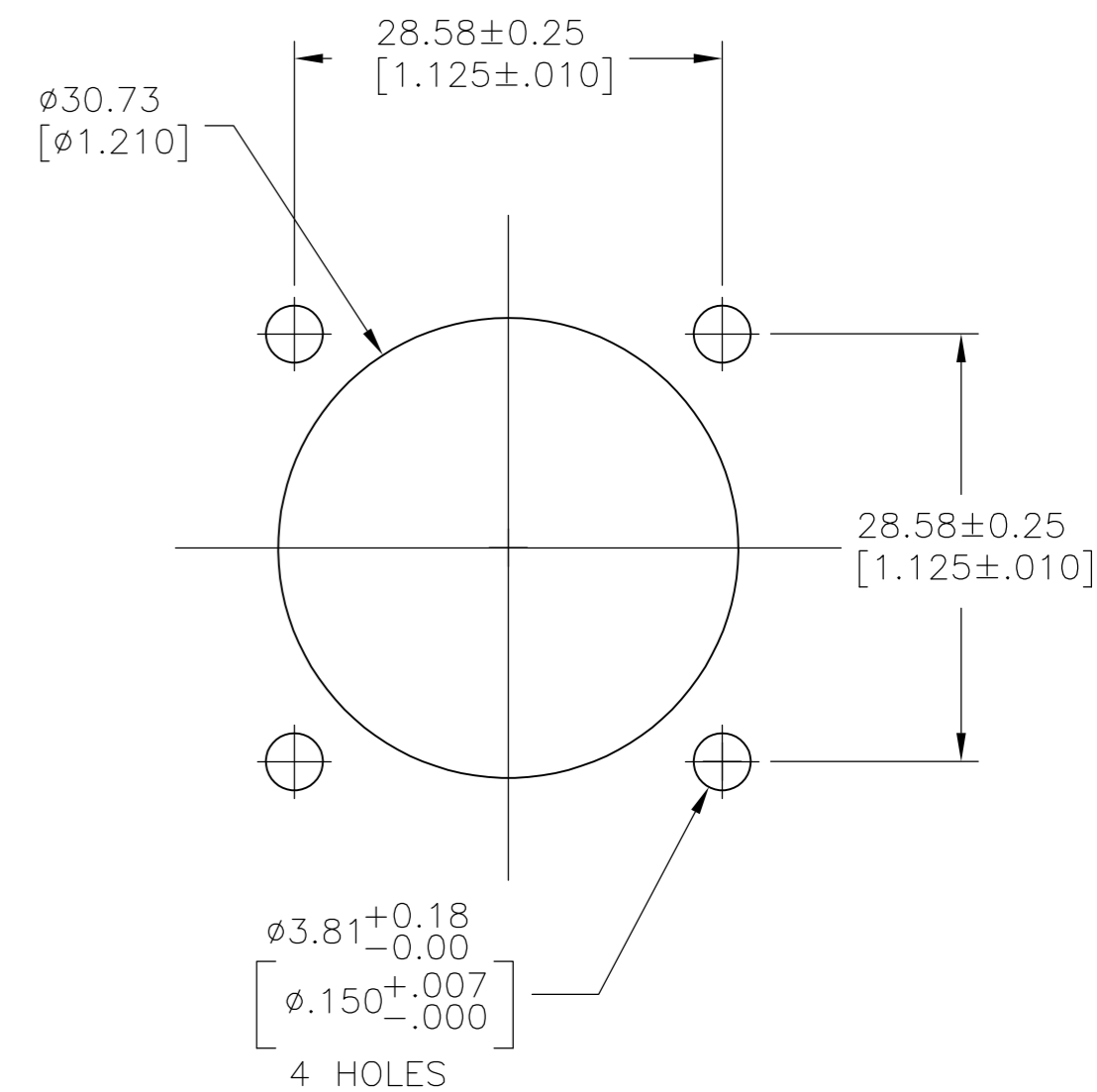
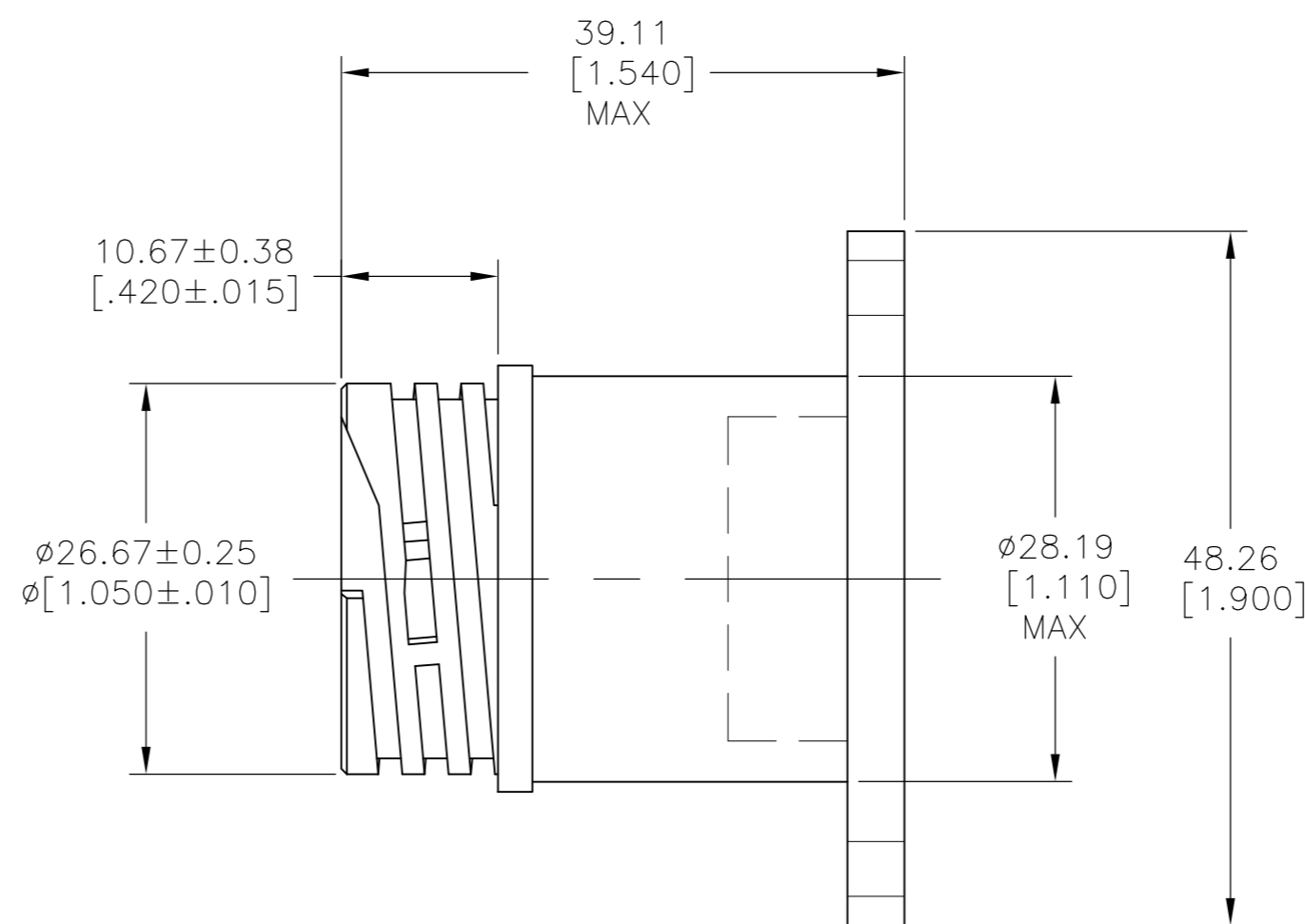
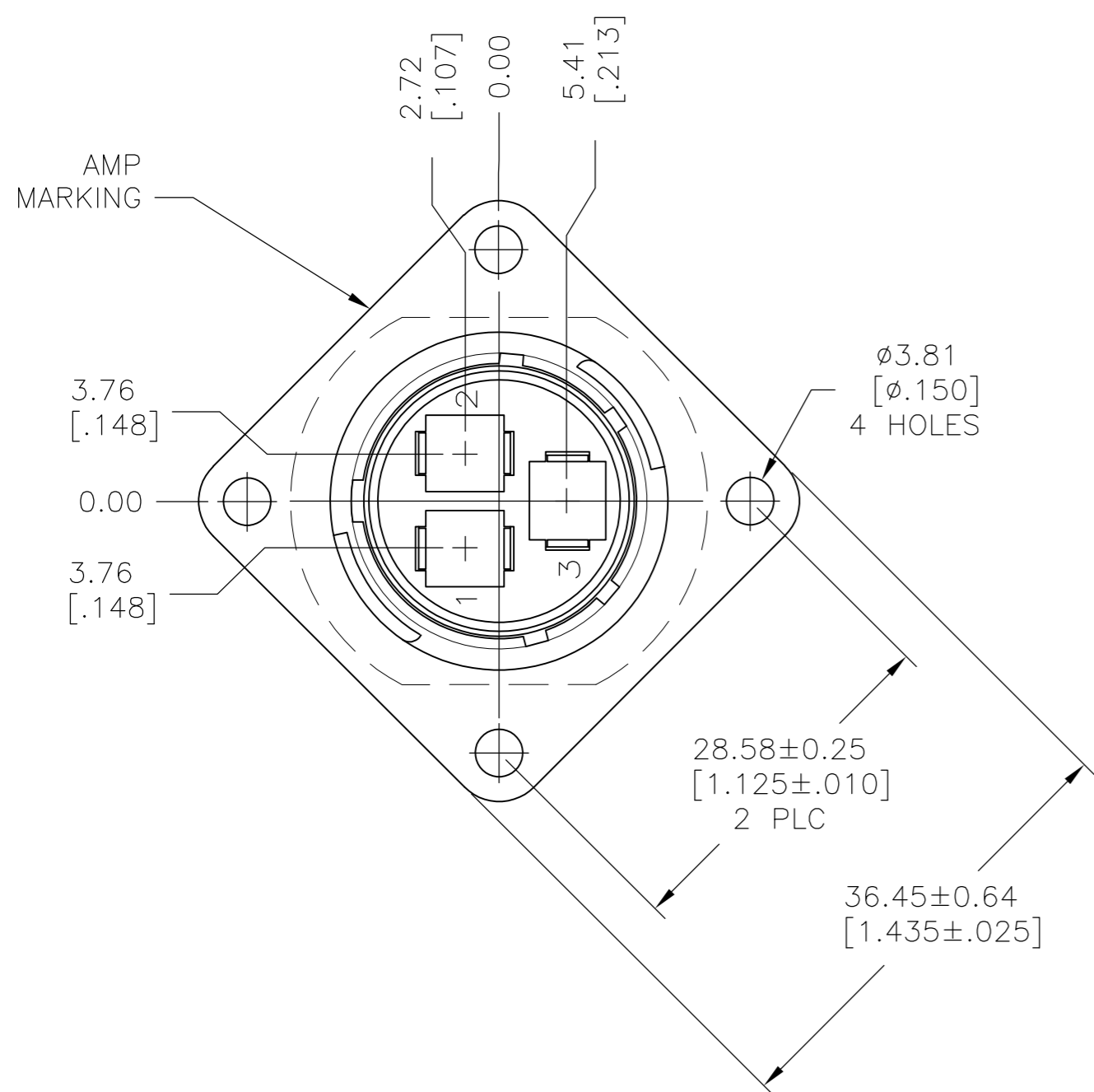


THIS DRAWING IS UNPUBLISHED. RELEASED FOR PUBLICATION
 © COPYRIGHT BY TYCO ELECTRONICS CORPORATION. ALL INTERNATIONAL RIGHTS RESERVED.

LOC	DIST	REVISIONS			
P	LTR	DESCRIPTION	DATE	DWN	APVD
BD	35				
	A1	REVISED PER ECO-09-018998	18AUG09	HMR	MS

- 1 CAVITY IDENTIFICATION ON FRONT AND REAR FACE.
- 2 WILL ACCEPT THREE (3) TYPE XII PIN CONTACTS.



RECOMMENDED PANEL CUTOUT

1986519-1
PART NO

THIS DRAWING IS A CONTROLLED DOCUMENT.		DWN 12FEB09 RAGHAVENDRA	Tyco Electronics Corporation Harrisburg, PA 17105-3608																			
DIMENSIONS: mm [INCHES]		CHK 12FEB09 SARVER MICHAEL	NAME EXTENDED CPC RECEPTACLE ASSY SIZE 17-3																			
TOLERANCES UNLESS OTHERWISE SPECIFIED:		APVD 12FEB09 SARVER MICHAEL	SIZE A2	CAGE CODE 00779																		
<table border="1"> <tr><td>0 PLC</td><td>±</td><td>-</td></tr> <tr><td>1 PLC</td><td>±</td><td>-</td></tr> <tr><td>2 PLC</td><td>±</td><td>0.13 [.005]</td></tr> <tr><td>3 PLC</td><td>±</td><td>-</td></tr> <tr><td>4 PLC</td><td>±</td><td>-</td></tr> <tr><td>ANGLES</td><td>±</td><td>-</td></tr> </table>		0 PLC	±	-	1 PLC	±	-	2 PLC	±	0.13 [.005]	3 PLC	±	-	4 PLC	±	-	ANGLES	±	-	PRODUCT SPEC -	DRAWING NO C=1986519	RESTRICTED TO -
0 PLC	±	-																				
1 PLC	±	-																				
2 PLC	±	0.13 [.005]																				
3 PLC	±	-																				
4 PLC	±	-																				
ANGLES	±	-																				
MATERIAL NYLON, BLACK	FINISH -	WEIGHT -	SCALE 2:1	SHEET 1 of 1																		
CUSTOMER DRAWING			REV A1																			